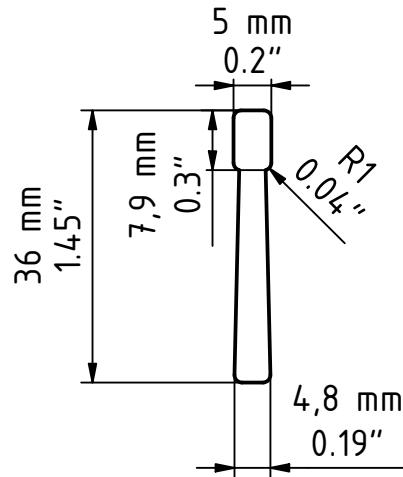


BLA03001 - CITO Sheet Lift - Cutting template



CITO Sheet Lift should only be used where not enough space is available to use CITO Sheet Lift 3D!

The final geometry is dependent upon the material and the machine used.

scale: 1:1

Date: 2023-03-14