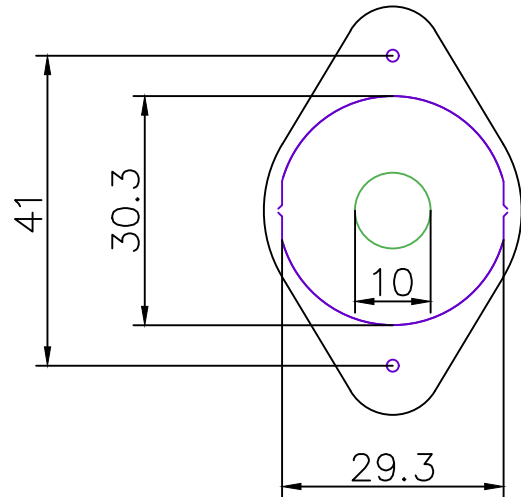


CITO FLAT TOP PRESSER SPOT - Cutting Template



laser-cut upper blanking tool

required space

spot

BKP04002 - CITO FLAT TOP PRESSER 57 - SPOT

BKP04004 - CITO FLAT TOP PRESSER 57 - SPOT 5/8" plywood

The final geometry is dependent upon the material and the machine used.

scale: 1:1

Date: 2024-09-19