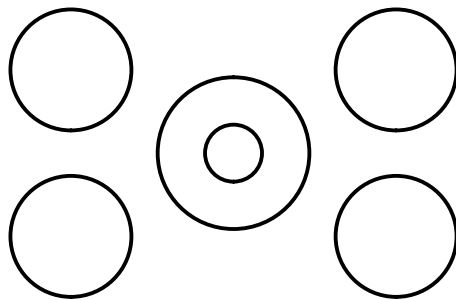
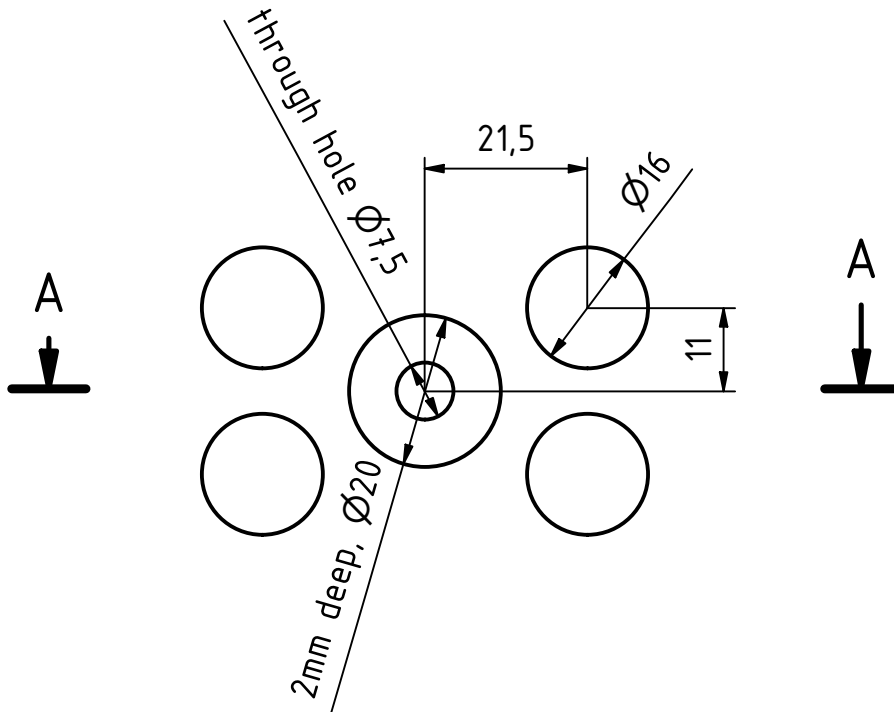


CITO SPIDER PRESSER cutting template for presser plate

The final geometry is dependent upon the material and the machine used.

scale: 1:1



A-A (1 : 1)

