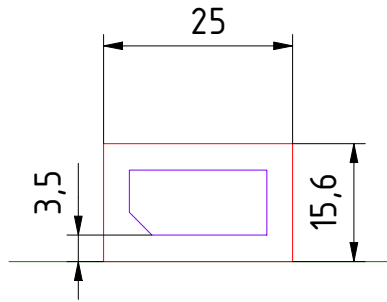


cutting template - CITO EasyClick Jogger

Required space dimensions

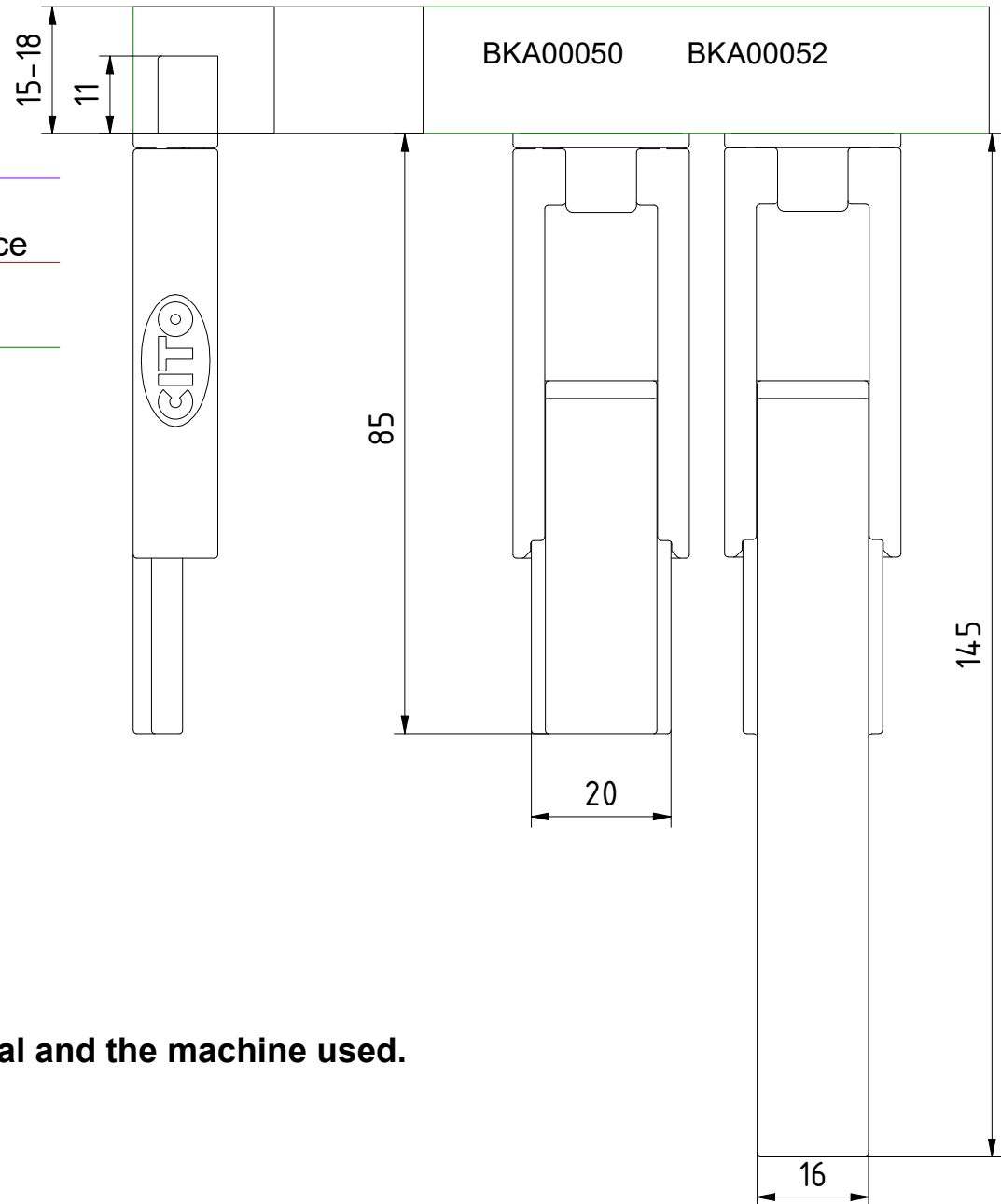
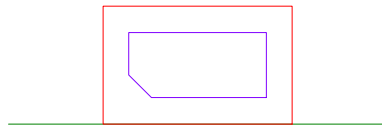
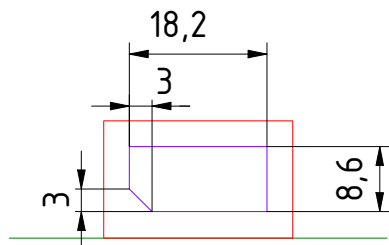


Lasercut

Minimum required space

Inner wood edge

Lasercut dimensions



The final geometry is dependent upon the material and the machine used.

scale: 1:1

Date: 2024-12-19