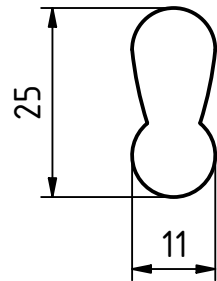
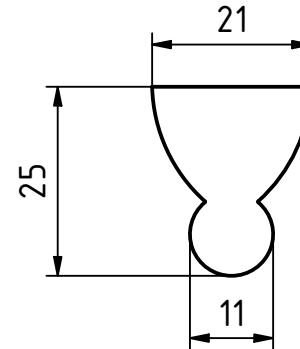


CITO SHEET RAMP - Cutting template

BQR00003
CITO SHEET RAMP S
BLACK 11 mm | 0.43"
(unit = 200 pcs.)



BQR00004
CITO SHEET RAMP M
BLACK 21 mm | 0.83"
(unit = 200 pcs.)



The final geometry is dependent upon the material and the machine used.

scale: 1:1

Date: 2023-12-20