

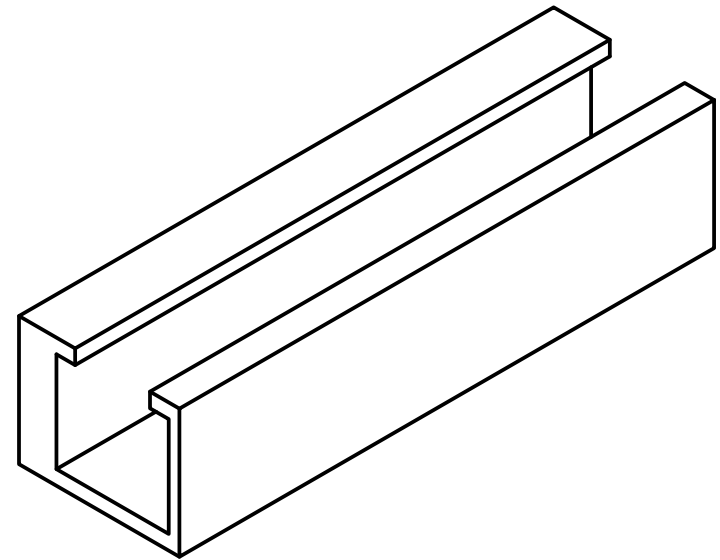
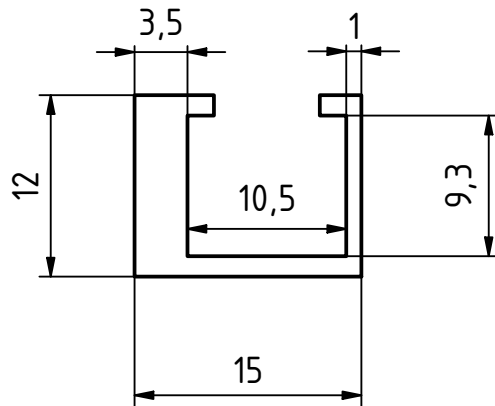
Product template

BKP03007 - Presser C-Rail Bendable

Length: 2380 mm | 93.7"

usable for:

- CITO SPIDER PRESSER RAIL
- CITO SNAP PRESSER RAIL
- PRESSER CL100 - C-RAIL
- FLUSH PRESSER FP-1 - STANDARD FOOT



scale: 2:1
Date: 2024-04-03
CITO-SYSTEM GmbH