

Technical information on PrintGuardPlus (SM52 transfer cylinder)

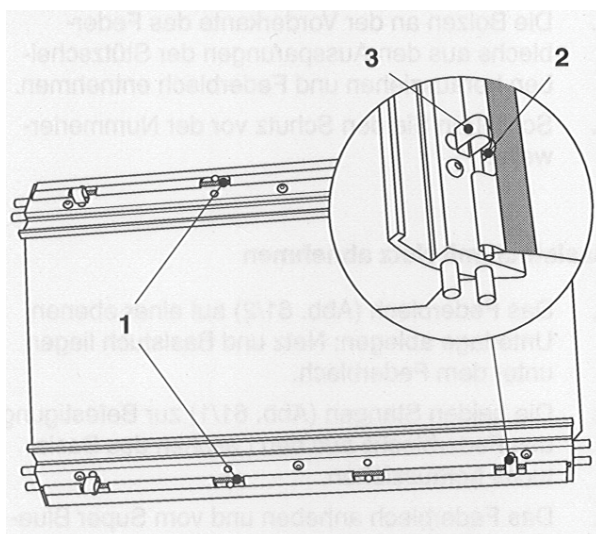
Brief summary

I. Removing the old Super Blue delivery spring sheet

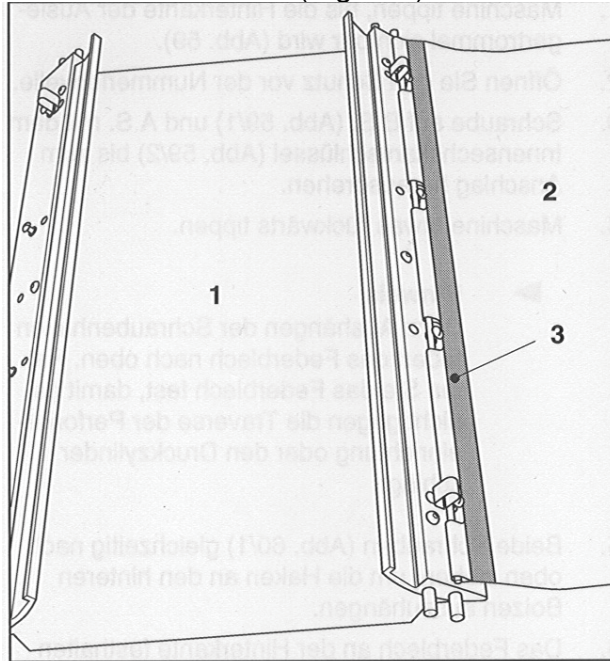
For this, please use the Heidelberg user manual and obey all safety instructions. After removal, please clean the surface of the spring sheet.

II. Installing PrintGuardPlus

1. Turn the spring sheet (Fig. I/1) around; the front and rear edge with the holding bolts point upward.
2. Lay PrintGuardPlus (Fig. I/2) on one of the edges in such a way that the orange side faces upward and the flexible black rubber side is hung in first (I/3).



3. Press the bar (Fig. II/1) between the springs (Fig. II/3) and the bolts (Fig. II/2).



4. Check whether the bar has clicked in properly.
5. Lift the spring sheet on the other edge, and lay PrintGuardPlus around the spring sheet.
6. Set the spring sheet on the edge with the fastened PrintGuardPlus, and press lightly to bend inward.
7. Press the other bar of the PrintGuardPlus in between the bolts and springs.
8. Check whether the bar has clicked in properly.
9. Check to see that PrintGuardPlus points centrally and laterally to the spring sheet. The bars must also lock flush to the sheet edge.
10. Install the spring sheet back into the machine according to the Heidelberg manual.

III. Care and maintenance

PrintGuardPlus is a durable anti-marking sheet with a permanent cross-linked silicone coating. It usually lasts 6 to 12 months, depending on use and care. To lengthen its life, we recommend removing any ink build-up immediately. Do not allow the ink to dry, because dry ink is hard to remove, and scrubbing can damage the surface of PrintGuardPlus.

Use a mild detergent (such as AIII) and thin it 50% with water. Use a lint-free polishing cloth or preferably a sponge. Then clean the surface with the moist cloth or sponge, applying light, uniform pressure.

Never use a screwdriver, knife or any sharp or abrasive tool on the PrintGuardPlus surface. Do not scrub too much on one spot, because this will destroy the PrintGuardPlus glass bead structure. Gentle, consistent pressure does not distort the sheet.

Another special note on cleaning your PrintGuardPlus:

Due to the sheet's special coating, ink can remain in the gaps of the glass bead structure. This causes the orange surface of PrintGuardPlus to darken with time. This darkening in no way impairs your sheet's anti-marking properties!

That is how to clean your PrintGuardPlus very quickly and easily. It is also the way to maintain the sheets' ink-repellent silicone layer.

Safety precautions:

When installing the sheet manually or with tools, please make sure that the machine is in the "Off/Stop" position before approaching its rotating parts.

If you have technical questions, please contact:

CITO-SYSTEM GmbH

0911 95885-0